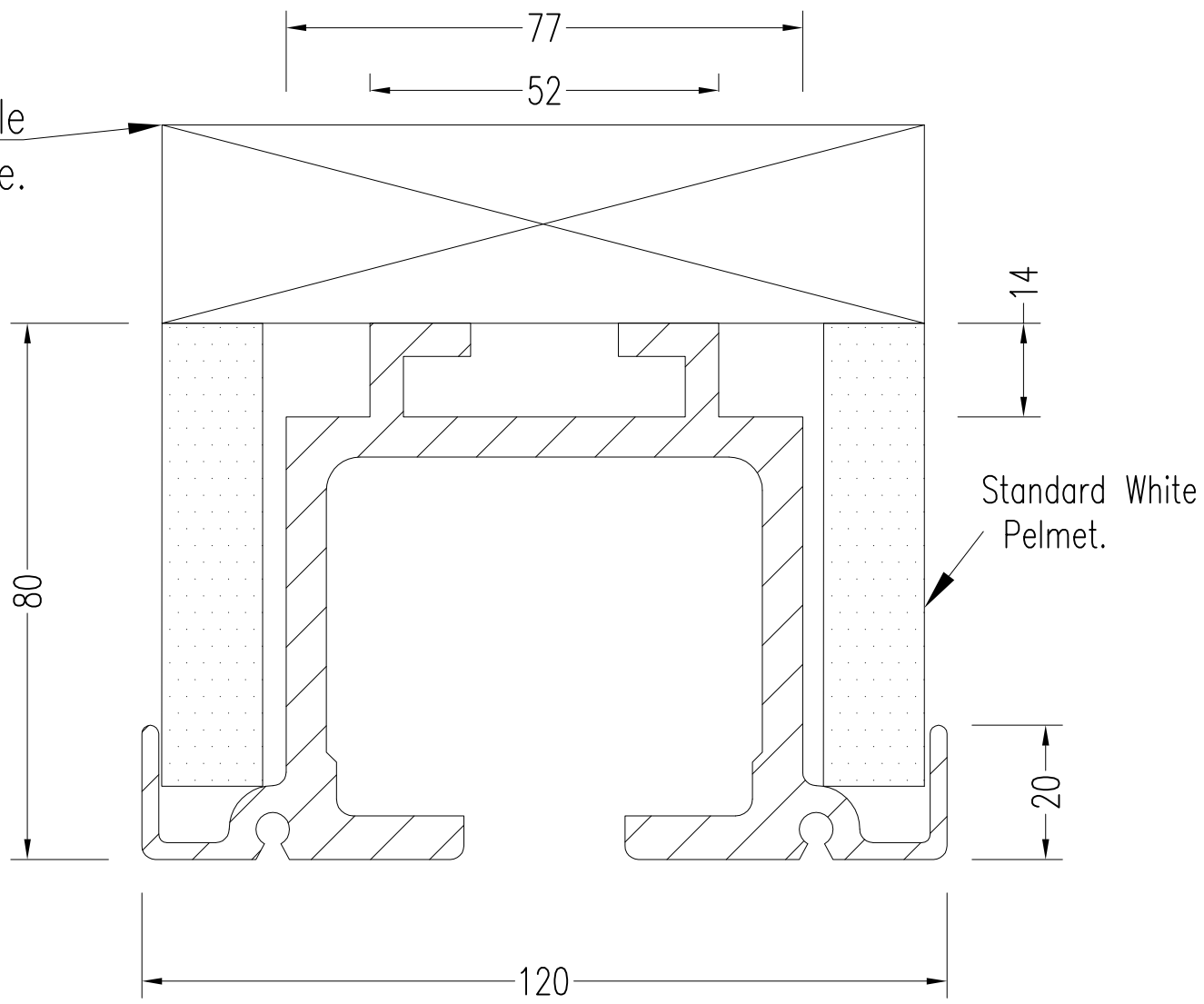


Existing suitable structure.



Unit 3D, Shrub Hill
 Industrial Estate
 Shrub Hill Road
 Worcester
 WR4 9EL
 Tel: 01905 422533
 email:
 sales@cesolutions.co.uk
 www.cesolutions.co.uk

REV & DATE	SYSTEM
DRAWN BY	<i>Omega</i>
A: <i>PE 9/1/09</i>	TITLE <i>Single Point Head Track with Pelmet</i>
DRAWING No. <i>Omega SPHTWP</i>	SOUND ATTENUATION RANGE
	55 dB

All details/dimensions may be subject to change.
 © ALL DIMENSIONS IN MILLIMETRES – DO NOT SCALE