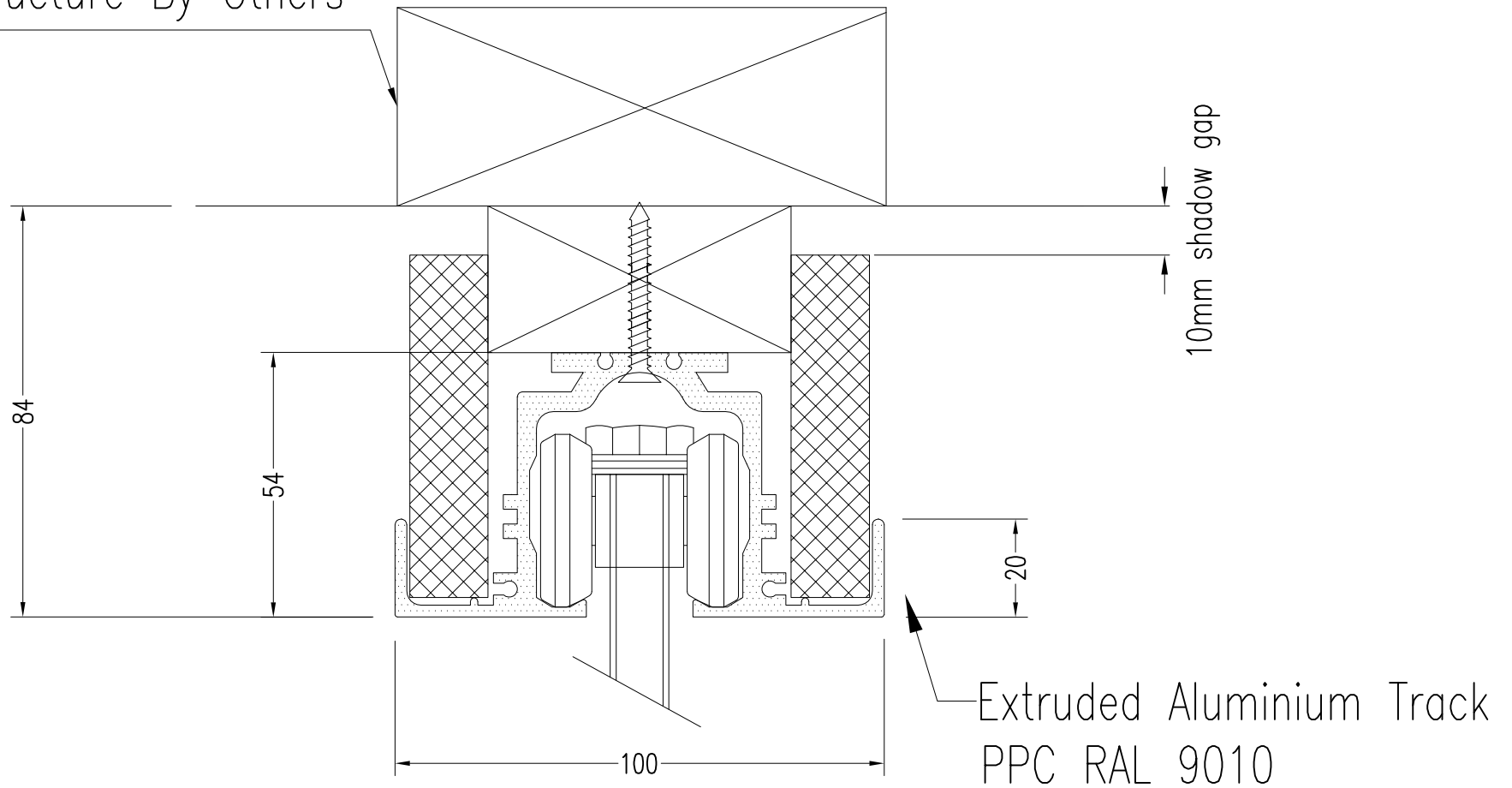


Structure By Others



Unit 3D, Shrub Hill
Industrial Estate
Shrub Hill Road
Worcester
WR4 9EL
Tel: 01905 422533
email:
sales@cesolutions.co.uk
www.cesolutions.co.uk

REV & DATE	SYSTEM
DRAWN BY	<i>OmegaD</i>
A: <i>PE 9/1/09</i>	TITLE
DRAWING No.	<i>Single Pt Head Track W Pelmet</i>
<i>OmegaD SPHTWP</i>	SOUND ATTENUATION RANGE
	48 dB

All details/dimensions may be subject to change.
© ALL DIMENSIONS IN MILLIMETRES - DO NOT SCALE