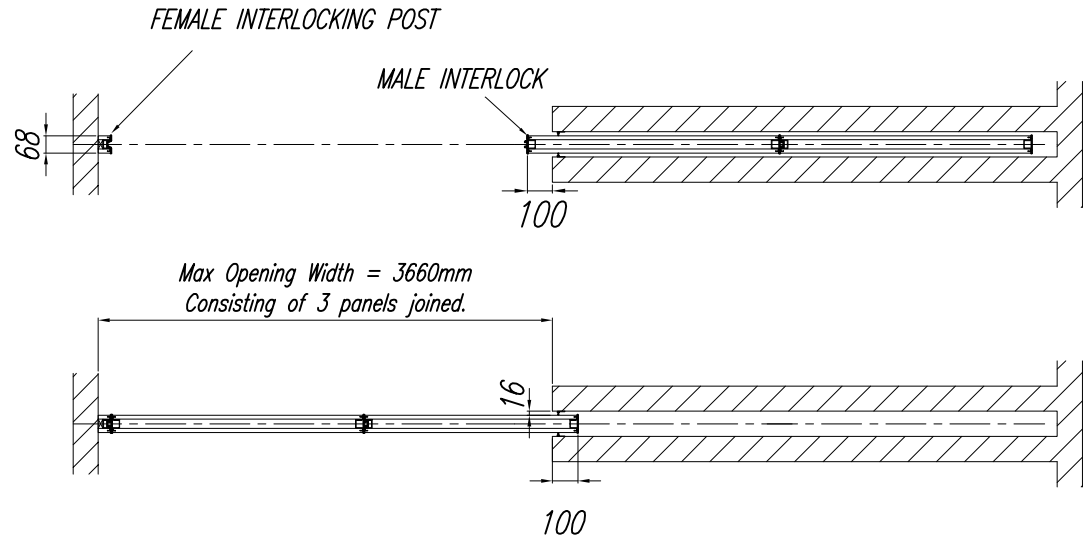
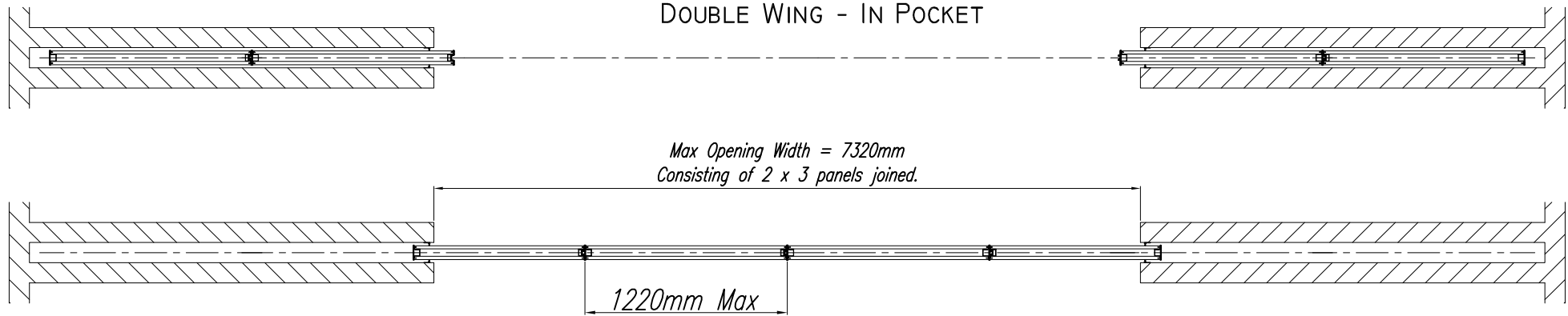


REFER TO DWG - SIGMASSSECT
FOR SECTION VIEW
& SIGMASSWJ FOR JAMB DETAIL

SINGLE WING - IN POCKET



DOUBLE WING - IN POCKET



Unit 3D, Shrub Hill
Industrial Estate
Shrub Hill Road
Worcester, WR4 9EL
Tel: 01905 422533
email: sales@cesolutions.co.uk
www.cesolutions.co.uk

REV & DATE	
DRAWN BY	
A	CE 12'
B	
C	
D	
E	

Title	
SigmaSS In Pocket	
DRAWING No.	REVISION
SigmaSS IP	A

SYSTEM	SigmaSS	SOUND ATTENUATION	42 dB
© ALL DIMENSIONS IN MILLIMETRES - DO NOT SCALE			