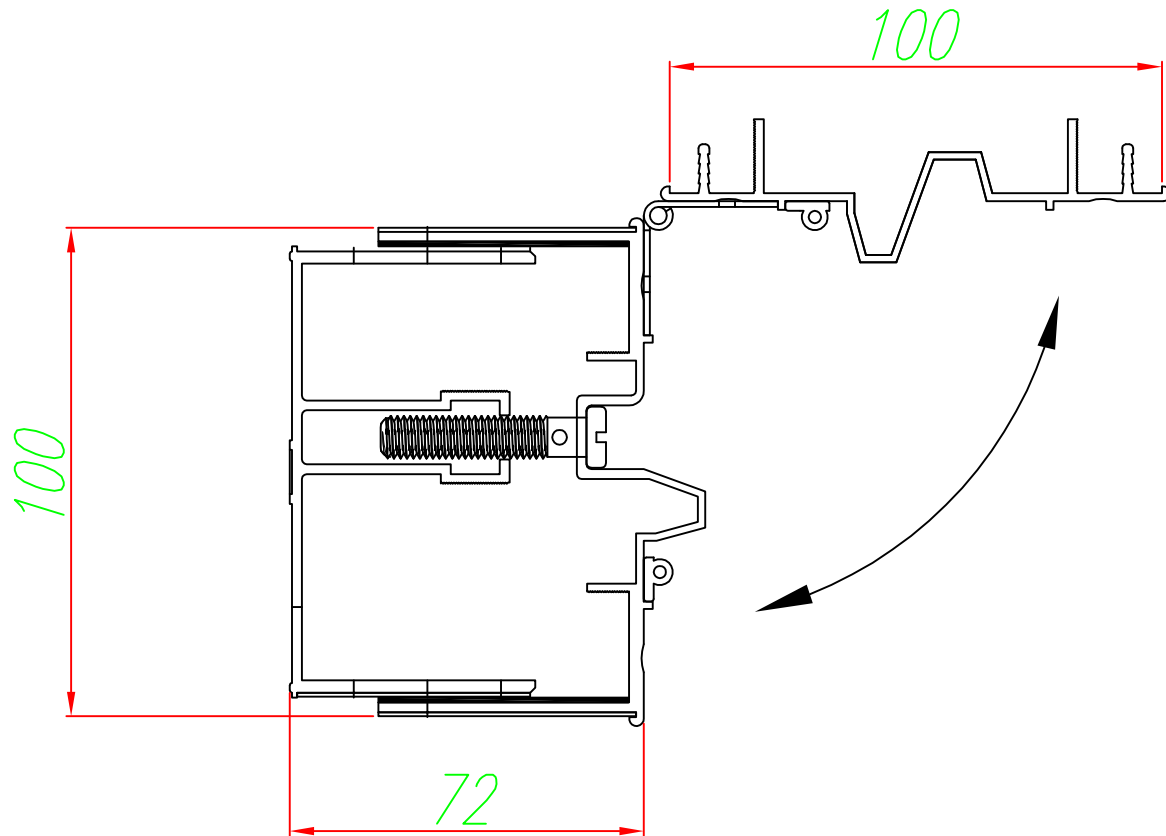
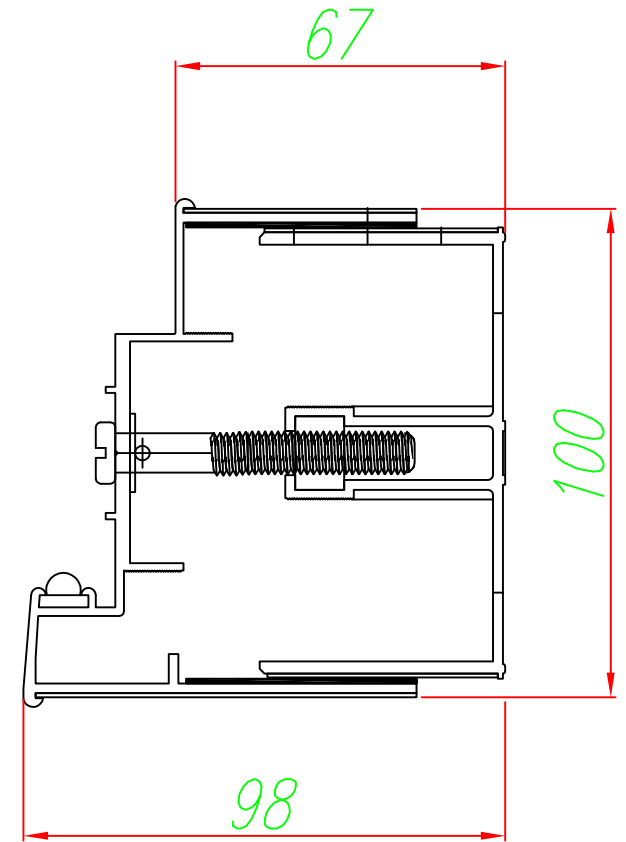


Hinge Post



Door Closure Post



CE SOLUTIONS

Unit3D,
Shrub Hill Industrial Estate
Shrub Hill Road
Worcester, WR4 9EL
Tel: 01905 422533

email:
sales@cesolutions.co.uk
www.cesolutions.co.uk

REV & DATE	
DRAWN BY	
A	CE 09'
B	
C	
D	
E	
Title	
Sigma 45 Wall Jamb	
DRAWING No.	REVISION
Sigma45WJ	A

SYSTEM	Sigma45	SOUND ATTENUATION	dB
© ALL DIMENSIONS IN MILLIMETRES - DO NOT SCALE			