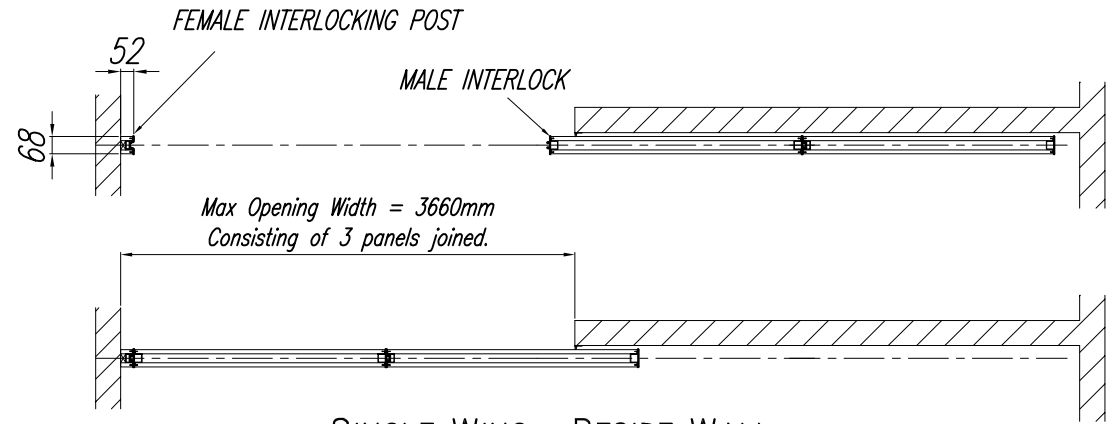
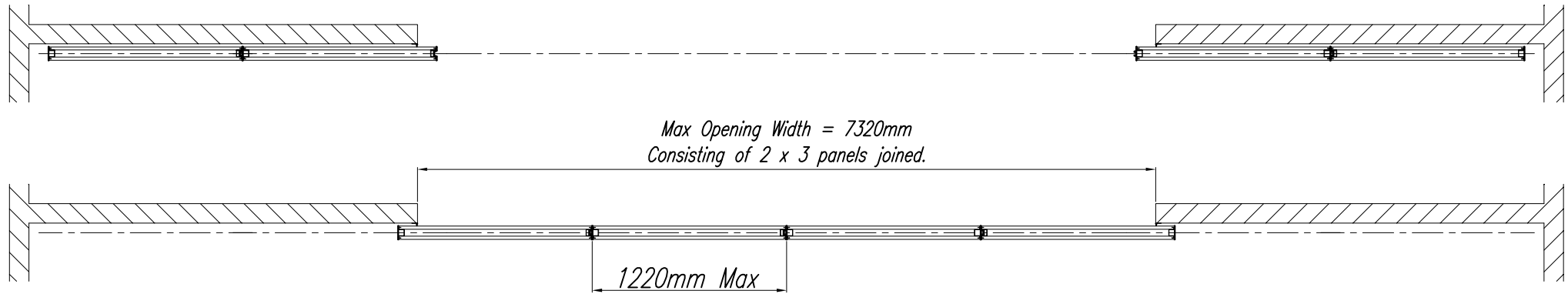


REFER TO DWG - SIGMASSSECT  
 FOR SECTION VIEW  
 & SIGMASSWJ FOR JAMB DETAIL



SINGLE WING - BESIDE WALL



DOUBLE WING - BESIDE WALL



Unit 3D, Shrub Hill  
 Industrial Estate  
 Shrub Hill Road  
 Worcester, WR4 9EL  
 Tel: 01905 422533  
 email: sales@cesolutions.co.uk  
 www.cesolutions.co.uk

REV & DATE
DRAWN BY
A CE 12'
B
C
D
E

Title	
SigmaSS Beside wall	
DRAWING No.	REVISION
SigmaSS42 BSW	A

SYSTEM	SigmaSS	SOUND ATTENUATION	42 dB
© ALL DIMENSIONS IN MILLIMETRES - DO NOT SCALE			