

ABUTMENT DETAILS

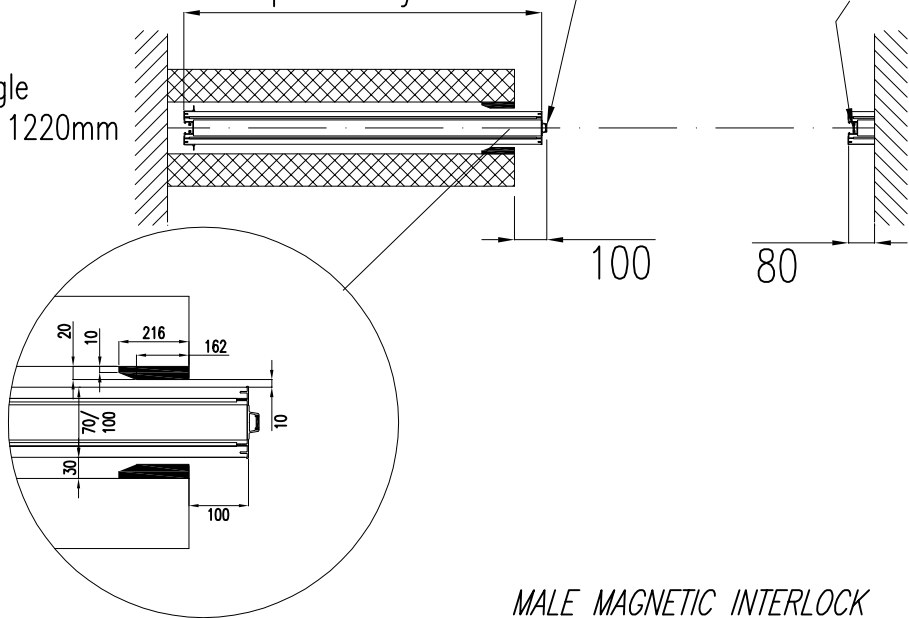
STACKING INTO POCKET

Max single panel width = 1220mm

3660mm max.
3 panels joined

MALE MAGNETIC INTERLOCK

FEMALE MAGNETIC INTERLOCK



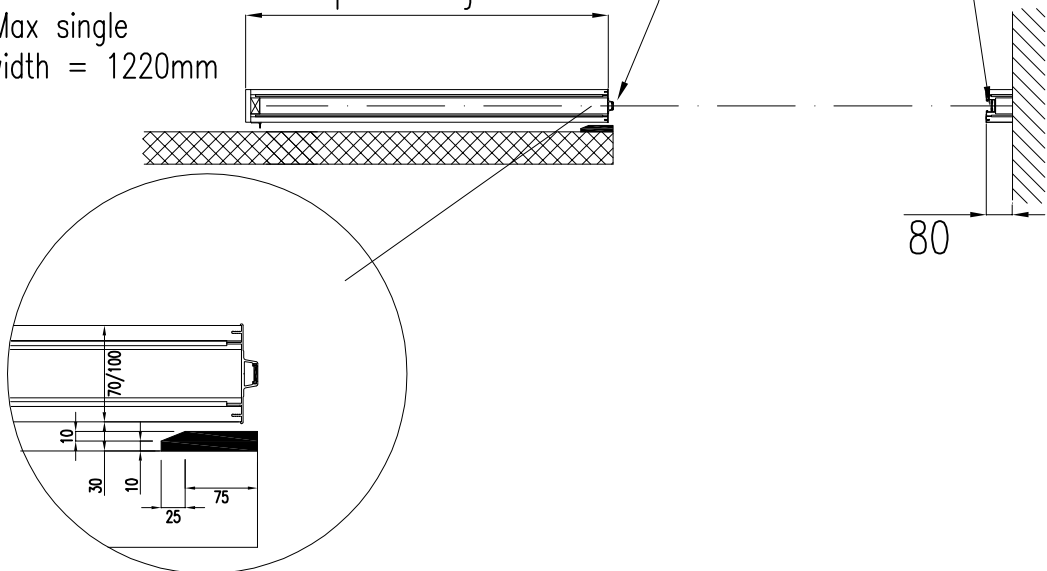
STACKING BESIDE WALL

Max single panel width = 1220mm

3660mm max.
3 panels joined

MALE MAGNETIC INTERLOCK

FEMALE MAGNETIC INTERLOCK



All details/dimensions may be subject to change.

© ALL DIMENSIONS IN MILLIMETRES - DO NOT SCALE



Unit 3D, Shrub Hill
Industrial Estate
Shrub Hill Road
Worcester
WR4 9EL
Tel: 01905 422533
E:sales@cesolutions.co.uk
W:www.cesolutions.co.uk

REV & DATE	SYSTEM
DRAWN BY	Sigma Straight Slider
A: PE 12/01/09	TITLE
DRAWING No.	Panel Abutment Details
Sigma PAD	SOUND ATTENUATION RANGE
	45 dB